



Improve your Indoor Air Quality with UVC Air Purification

Ensure that you and your family are breathing clean air with the power of UVC technology. Simple to use and easy to install, this system mounts onto your existing forced air furnace.



10 YEAR WARRANTY

Effectively Purifies up to **3500 Sq. Ft.**

PRODUCT FEATURES

- Lamps produce no ozone
- Energy efficient electronic ballast
- Safety feature designed to prevent accidental exposure to UVC light
- Built-in lamp replacement indicator (Replace lamp once a year for optimal performance)
- Safely purifies home up to 3500 sq. ft.
- Installs in less than 15 minutes



Compact and easy to install



Provides clean fresh air for the entire home

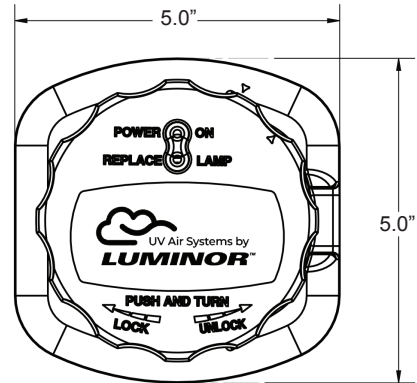
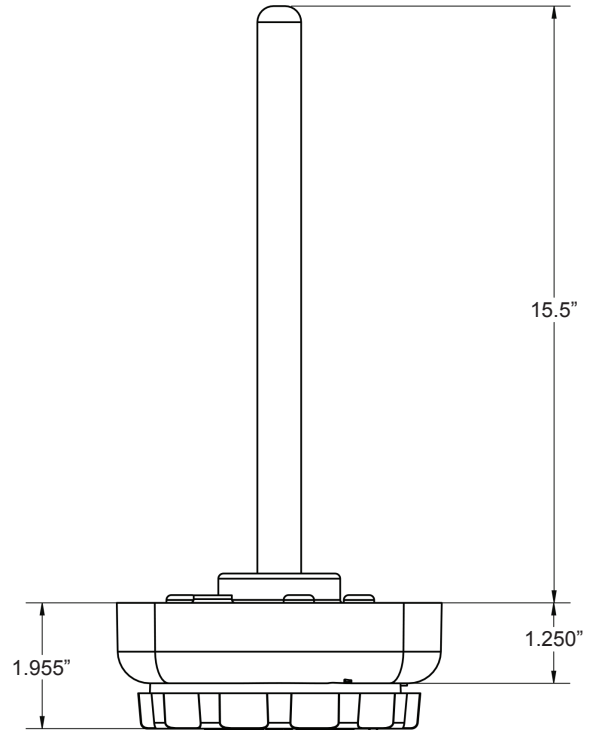
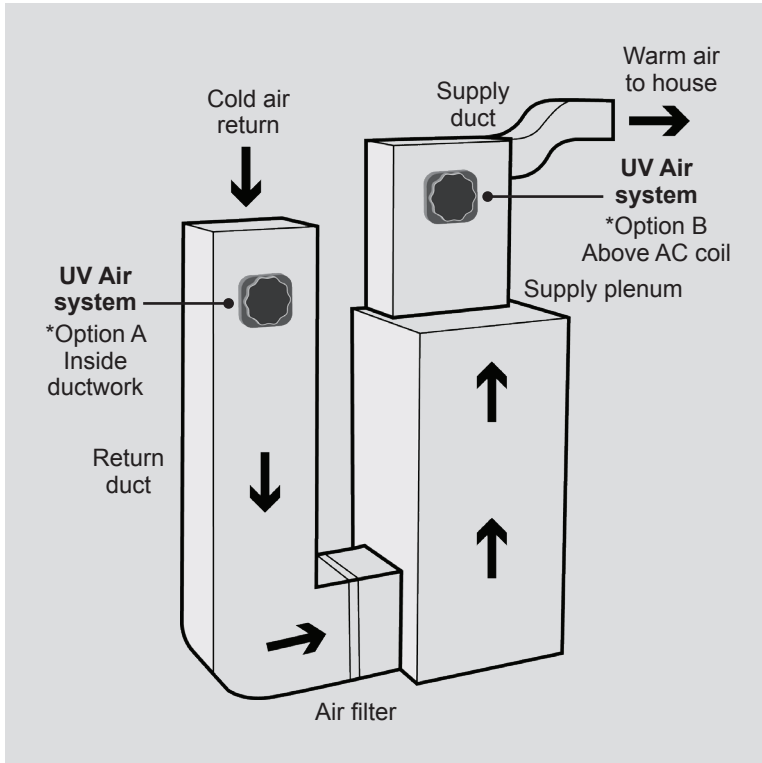


Kills germs that cause colds and flus



Alleviates allergies and asthma symptoms

**OPTIONAL INSTALLATION LOCATIONS
ON FORCED AIR FURNACE**



PRODUCT SPECIFICATIONS	UVAIR-01
INPUT SUPPLY VOLTAGE	108-132V
INPUT SUPPLY FREQUENCY	60 Hz
POWER (WATTS)	36
PRIMARY AMPERES	0.55A
OPERATING TEMPERATURE	-5 °C to 75 °C
OPERATING RELATIVE HUMIDITY	90%
POWERHEAD DIMENSIONS	5"(w) x 5" (h)
REPLACEMENT LAMP	UVAIR-RL1
LAMP CHANGE REMINDER	YES
LAMP OUT INDICATOR	YES
SHIPPING WEIGHT	1.0 kg (2.2 lbs)



Culligan of Greenville
708 North Lafayette Street
Greenville, MI 48838
Phone: 616.229.4793
www.culliganmidmichigan.com

Culligan of Madison
5002 World Dairy Dr.
Madison, WI 53718
Phone: 608.268.9580
www.culligantotalwater.com

MANUFACTURER'S WARRANTY

Ten (10) year Limited Warranty on the powerhead, from the date of original purchase, or installation.

See website for LUMINOR's complete warranty document including conditions and exclusions.

